



B. Exhibit

An exhibit is a visual representation of your research and interpretation of your topic's significance in history. The analysis and interpretation of your topic must be clear and evident to the viewer. Labels and captions should be used creatively with visual images and objects to enhance the message of your exhibit.

Part III, Rules for all Categories (pages 11-14), applies to exhibits.

| | | |
|-----------|--------------------------|--|
| B1 | Size Requirements | <ul style="list-style-type: none">■ The overall size of your exhibit when displayed for judging must be no larger than 40 inches wide, 30 inches deep, and 6 feet high.■ Measurement of the exhibit does not include the table on which it rests; however, it does include any stand that you create and any table drapes.■ Circular or rotating exhibits or those meant to be viewed from all sides must be no more than 30 inches in diameter. See Figure 4 for illustration. |
| B2 | Word Limit | <ul style="list-style-type: none">■ A 500-word limit applies to all student-composed text that appears on, or as part of, an exhibit entry.■ This includes the text that you write for titles, subtitles, captions, graphs, timelines, media devices, or supplemental materials (e.g., photo albums, scrapbooks, etc.) where you use your own words.■ Brief factual credits of the sources of illustrations or quotations included on the exhibit do not count toward the 500-word limit. A date (January 1, 1903) counts as one word. See Figure 5 for additional explanation. <p><i>NOTE: Be careful that your message is clear on the exhibit itself. Extensive supplemental material is inappropriate. Oral history transcripts, correspondence between you and experts, questionnaires, and other primary or secondary material used as sources for your exhibit should be cited in your bibliography, but not included as attachments to your bibliography or exhibit.</i></p> |



| | | |
|------------------|--|--|
| <p>B3</p> | <p>Media Devices</p> | <ul style="list-style-type: none"> Media devices (e.g., DVD players, tablets, mp3 players, video monitors, computers, etc.) used in an exhibit must not run for more than a total of three minutes. Quotes from a multi-media source (e.g., clip from a documentary, primary source music, etc.) are considered quotes. Any student-composed questions, narration, or graphics incorporated within a media presentation are subject to the 500-word limit (Rule B2). Viewers and judges must be able to control media devices. Any media devices must fit within the size limits of the exhibit. Any media devices used should be integral to the exhibit—not a method to bypass the prohibition against live student involvement. |
| <p>B4</p> | <p>Crediting Sources</p> | <ul style="list-style-type: none"> All quotes from written sources must be credited on the exhibit and fully cited in the annotated bibliography. All visual sources (e.g., photographs, paintings, charts, and graphs, etc.) must be credited on the exhibit and fully cited in the annotated bibliography. Brief, factual credits do not count toward the word total. See Figure 6 for an example of the difference between a credit and a caption. |
| <p>B5</p> | <p>Required Written Materials</p> | <ul style="list-style-type: none"> Consult the <i>NHD-CA Contest Guide</i> located under the “Contests” tab at www.nhdca.org for more information about required written materials for this category. Check with your county coordinator for entry procedures for your local competition. Refer to Part III, Rules 16-18, for citation and style information. |

FIGURE 4 | EXHIBIT SIZE LIMIT ILLUSTRATION

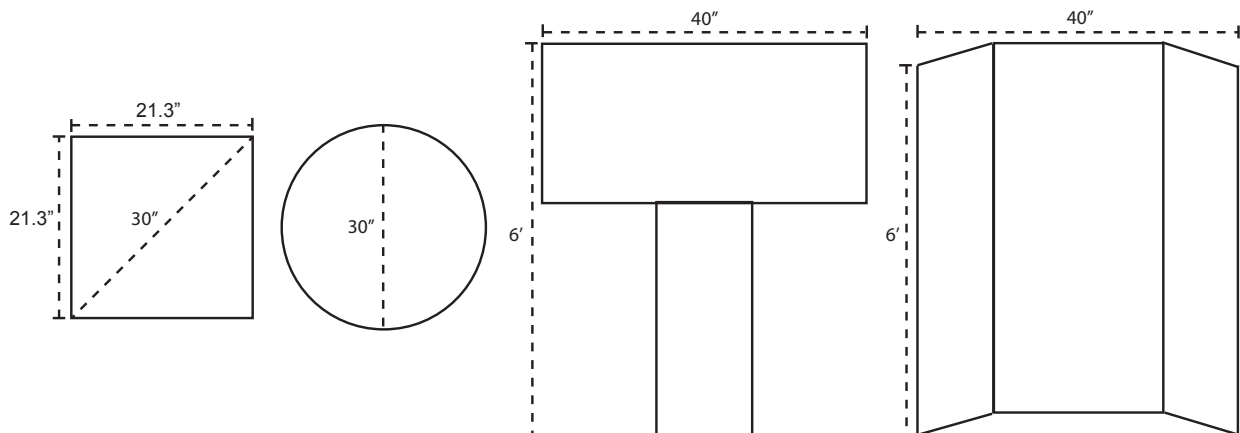




FIGURE 5 | COUNTING WORDS

| Example from an exhibit board | Number of student-composed words | Explanation |
|--|----------------------------------|---|
| John Quincy Adams served as the Secretary of State.... | 9 | These are all student-composed words. |
| On August 18, 1920, the Nineteenth Amendment was ratified.... | 7 | The date counts as one word. |
| When Thomas Jefferson wrote that "All men are created equal" in the Declaration of Independence... | 10 | Direct quotations from primary and secondary sources do not count as student-composed words. |
| "Four score and seven years ago, our fathers brought forth..." Abraham Lincoln, Gettysburg Address, November 19, 1863 | 0 | Direct quotations from primary and secondary sources and brief, factual credits do not count as student-composed words. |

EXHIBIT CHECKLIST

- No larger than 40 inches wide, 30 inches deep, and 72 inches high when displayed
- Clear and visible title
- Check with county coordinator or the *NHD-CA Contest Guide* on number of written materials to bring:
 - Title page with ONLY: entry title, name(s), division (Junior or Senior), category (Exhibit), student-composed number of words, and process paper number of words.
 - Process paper no longer than 500 words.
 - Annotated bibliography separated into primary and secondary source sections
- Shows wide research and use of primary sources
- Provides evidence of balanced research (multiple perspectives)
- Clearly links topic to theme and demonstrates exploration of the entire theme
- No more than 500 student-composed words (includes labels, captions, and titles - see Figure 5 above)
- Sources of quotations and illustrations, etc. are credited with brief citations on the exhibit
- Historically accurate, places topic in historical context, & shows interpretation and analysis
- Demonstrates significance of topic in history
- Presentation of topic is creative, original, and well organized
- Has visual impact and shows interpretation
- You must set up your exhibit; adults may assist you in carrying heavy or oversized items
- Follows copyright laws

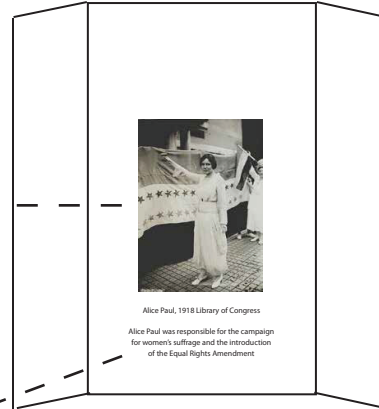


FIGURE 6 | CREDITING VISUAL SOURCES



Alice Paul, 1918, Library of Congress

Alice Paul was responsible for the campaign for women's suffrage and the introduction of the Equal Rights Amendment.



A brief, **FACTUAL CREDIT** is **REQUIRED** and does **NOT** count toward the 500-word limit.

A caption written in your own words **DOES** count toward the 500-word limit.

